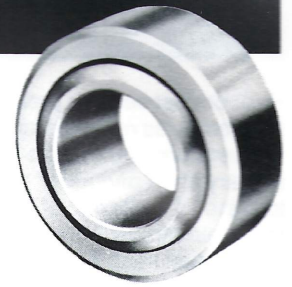


RAC series

Specification



- Housing** Carbon steel.
Phosphated.
- Ball** 1% carbon chromium steel.
Heat treated.
Chromium plated on the spherical surface.
- Liner** Reinforced PTFE.

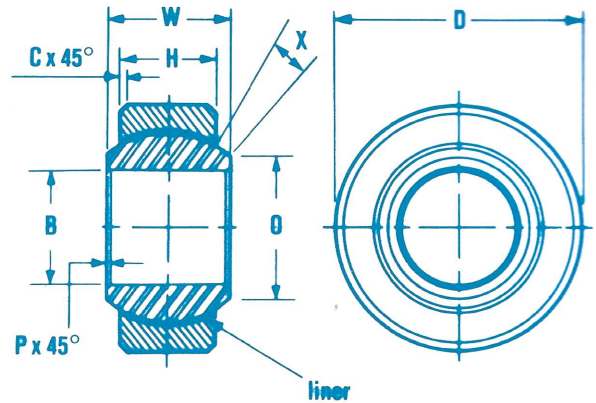
Temperature and fits

The normal maximum operating temperature for these bearings is 120°C, although Rose Bearings technical department should be consulted where the normal operating temperature exceeds 80°C.

There is no measurable clearance in these bearings in the no load condition, and the tightness of the bearing is measured by the breakaway torque as indicated below.

Bearing size No load breakaway torque (lbf in)

RAC
04 – 12 0 – 5



Imperial dimensions

Bearing number	B	D	W	H	O	C	P	X	Ball dia nom	Maximum static radial load in pounds approx	Weight in pounds each approx
	Bore	Outside dia	Ball width	Housing width	Ball flat dia	Chamfer	Chamfer	Angle deg			
RAC 04	.2500 +.0015 -.0005	.6562 +.0000 -.0005	.343 +.000 -.005	.250 +.005 -.005	.364	.022 +.010 -.000	.016 +.015 -.000	13.0	.500	7 100	.023
RAC 05	.3125	.7500	.375	.281	.419	.032	.016	11.0	.562	9 000	.031
RAC 06	.3750	.8125	.406	.312	.475	.032	.016	10.0	.625	11 200	.039
RAC 08	.5000	1.0000	.500	.390	.600	.032	.016	9.5	.781	17 500	.070
RAC 10	.6250	1.1875	.625	.500	.739	.032	.016	9.0	.969	27 600	.117
RAC 12	.7500	1.4375	.750	.593	.920	.044	.032	9.0	1.187	40 300	.203